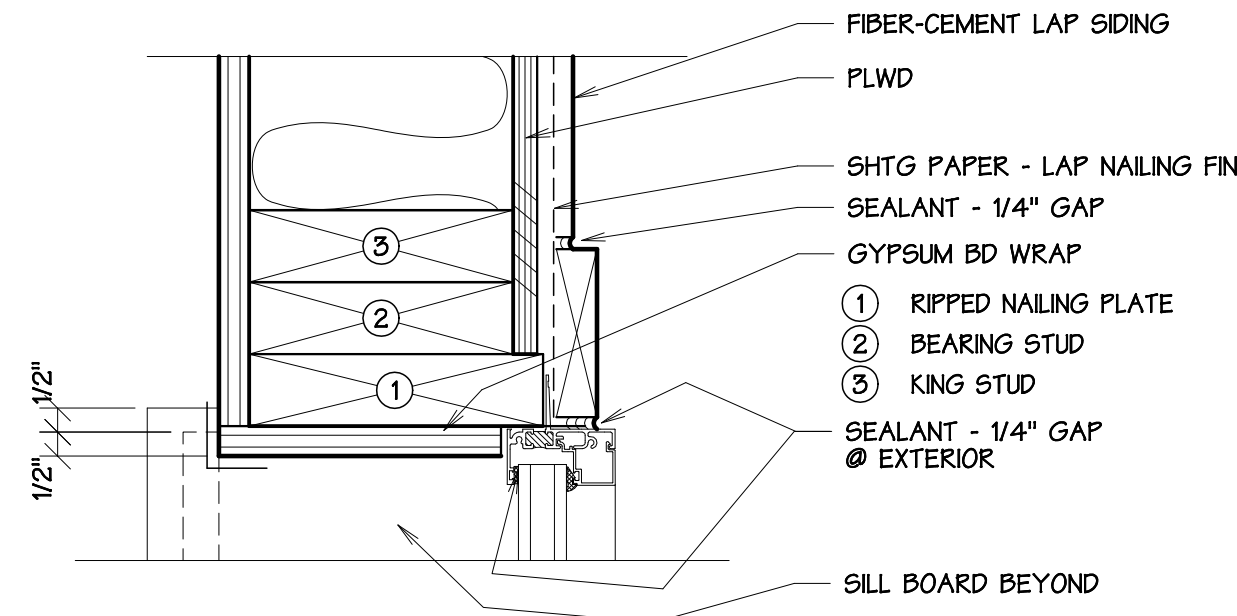
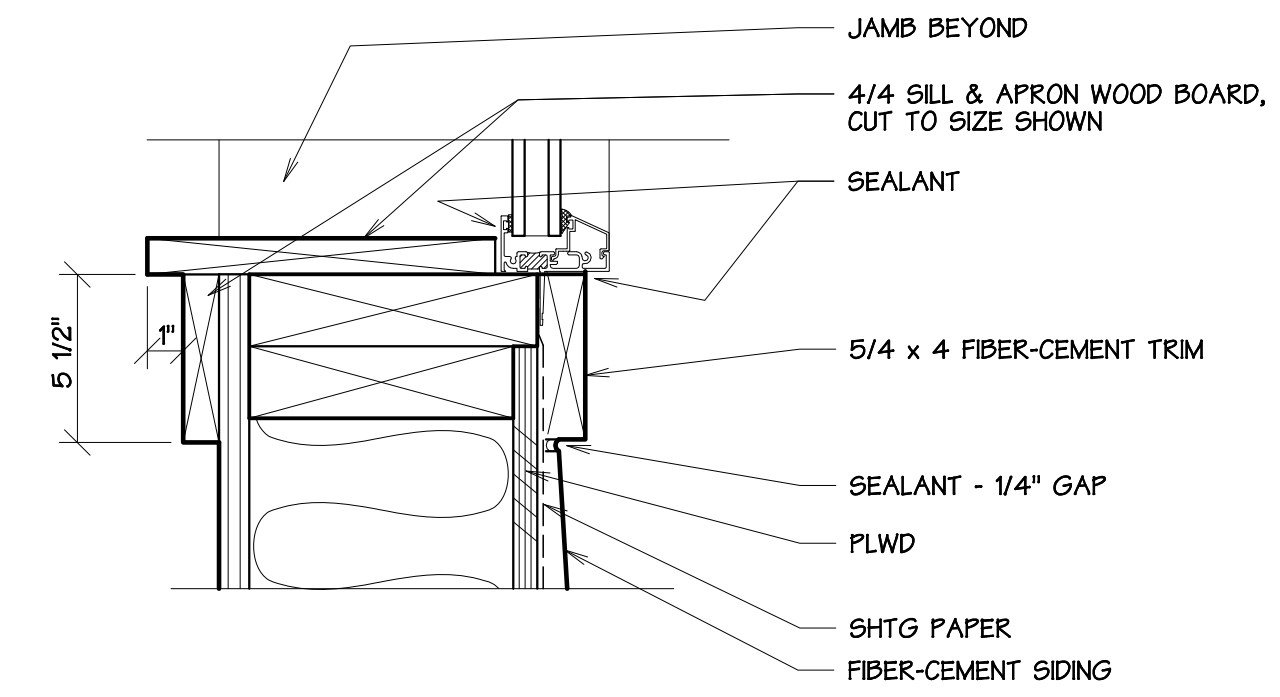


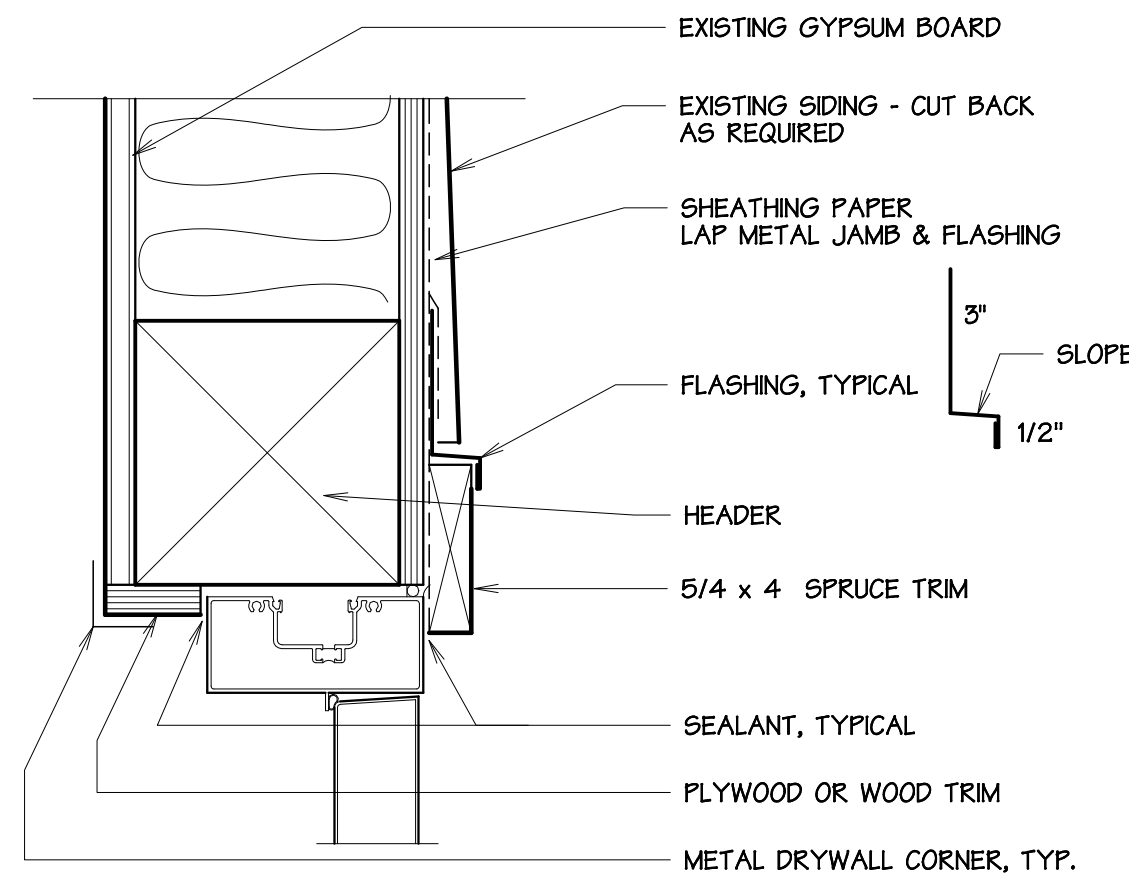
① WINDOW HEADER DETAIL
3" = 1' - 0"



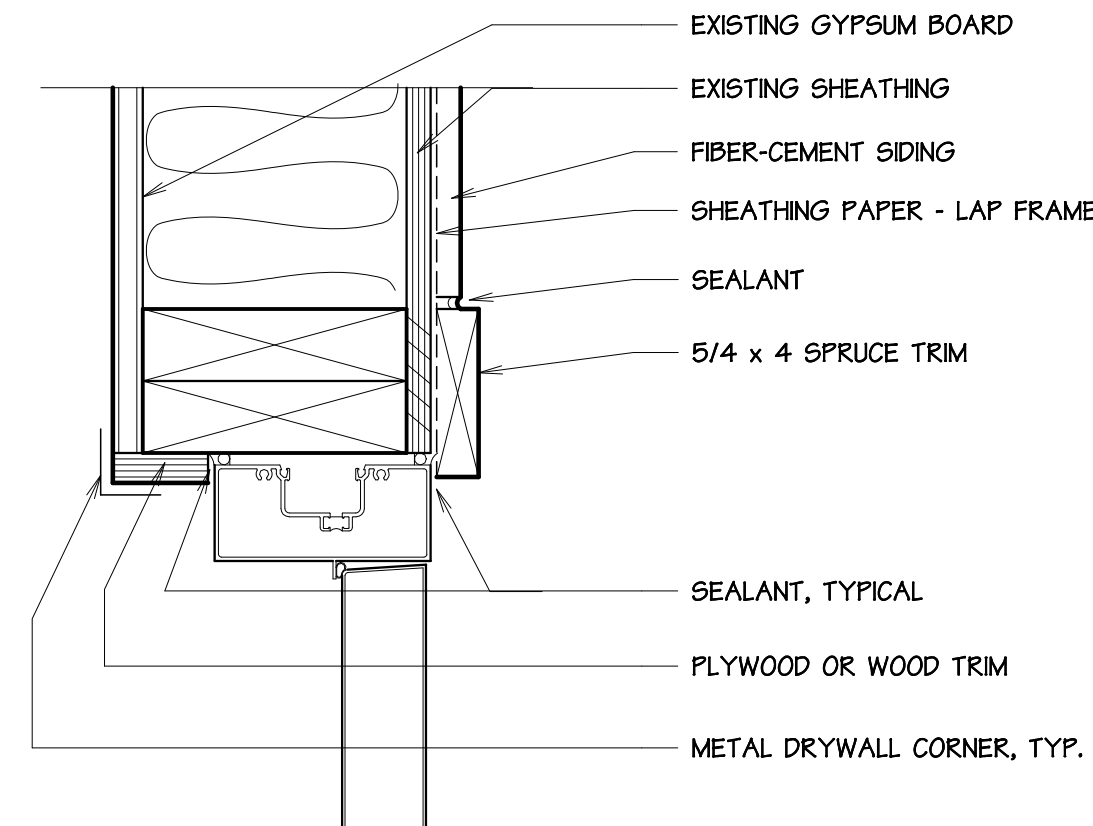
② WINDOW JAMB DETAIL
3" = 1' - 0"



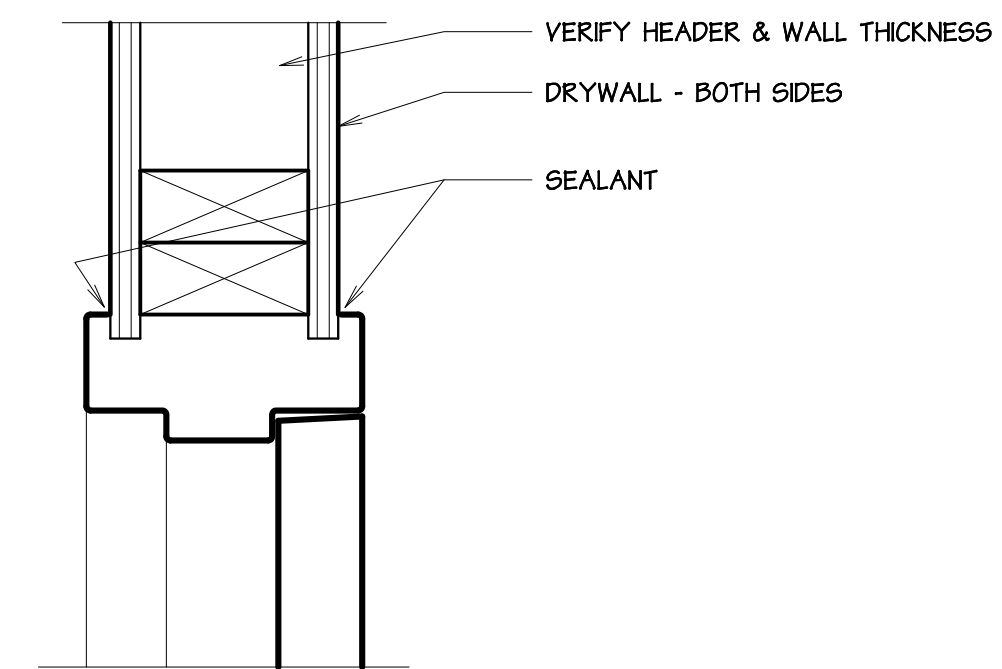
③ WINDOW SILL DETAIL
3" = 1' - 0"



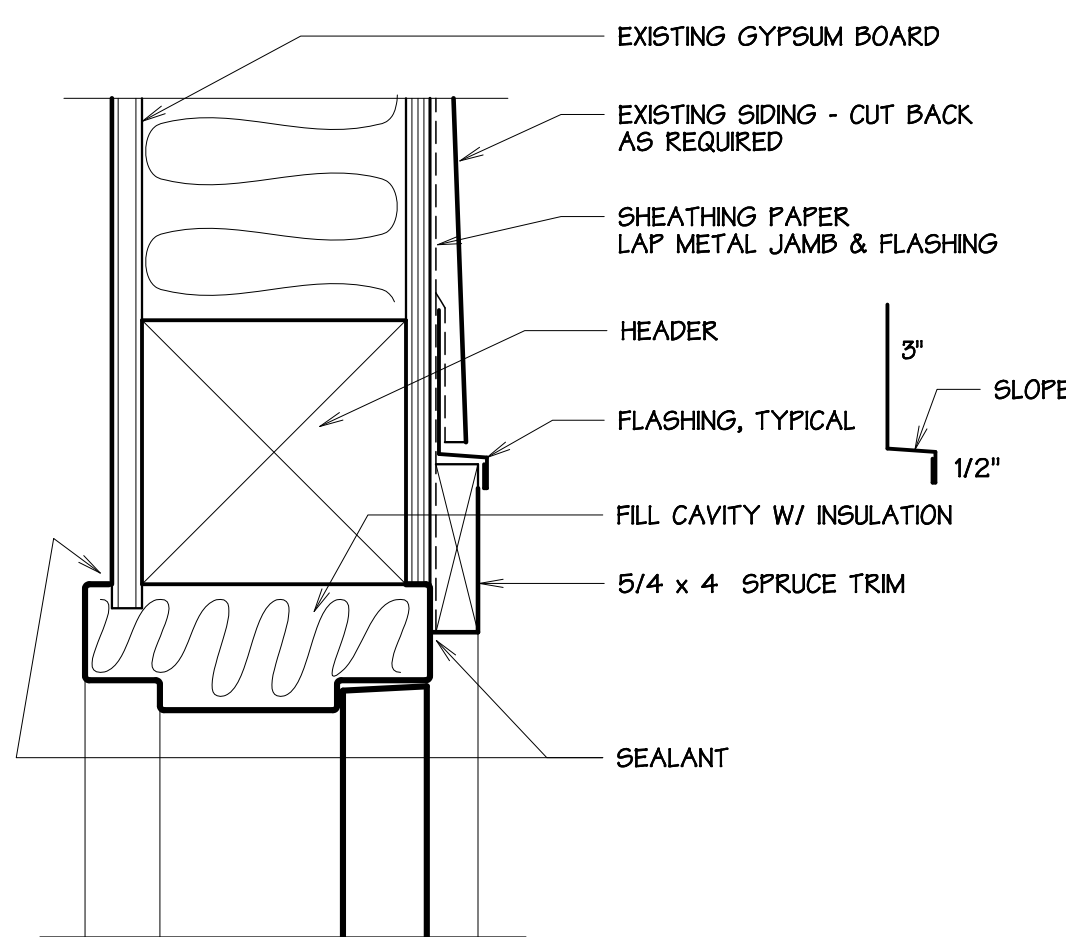
④ HEAD DETAIL
3" = 1' - 0"



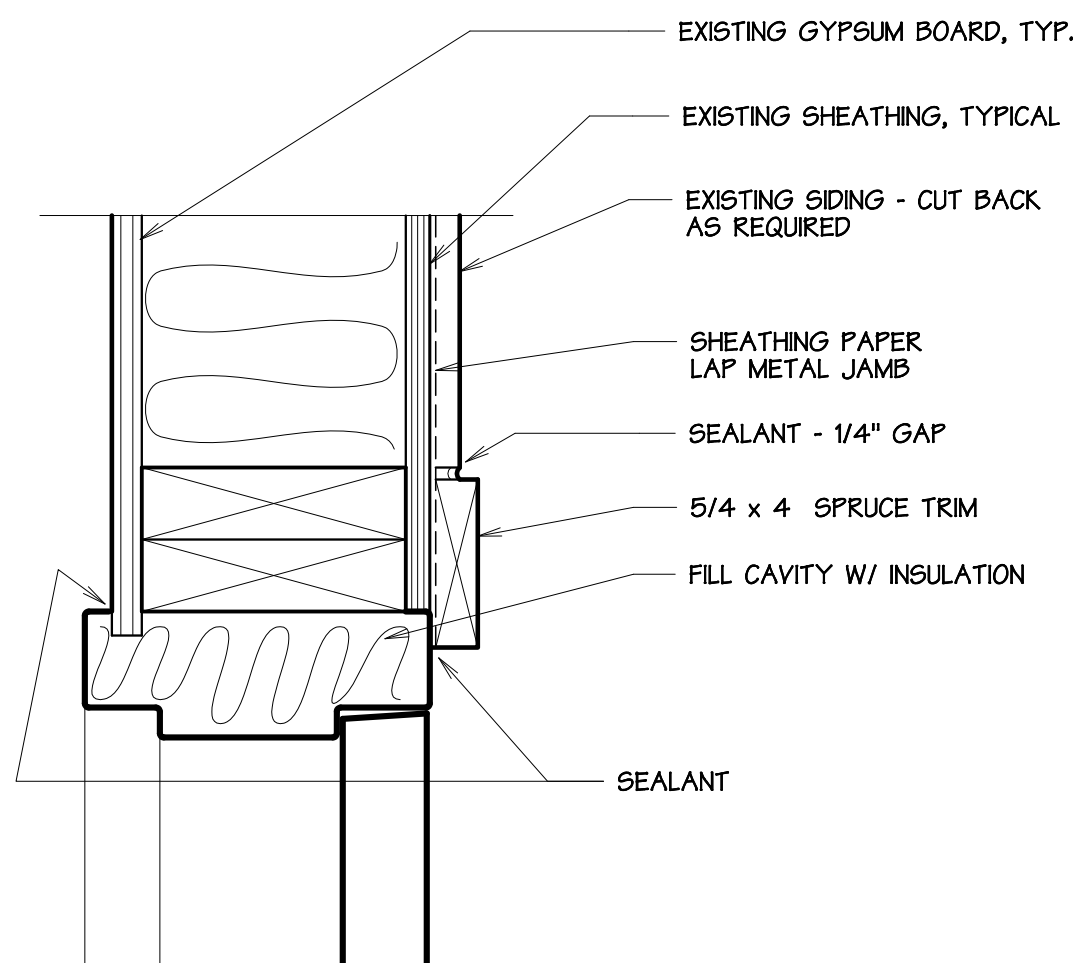
⑤ JAMB DETAIL
3" = 1' - 0"



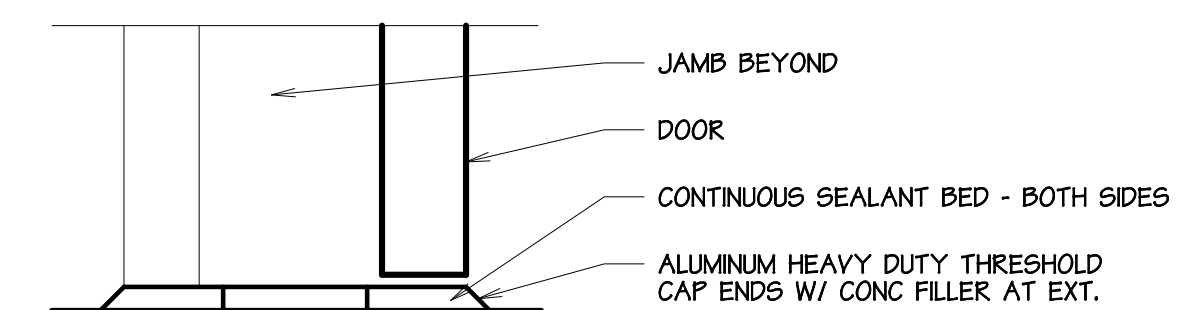
⑥ INT. STL JAMB/HEAD DETAIL
3" = 1' - 0"



⑦ HEAD DETAIL
3" = 1' - 0"



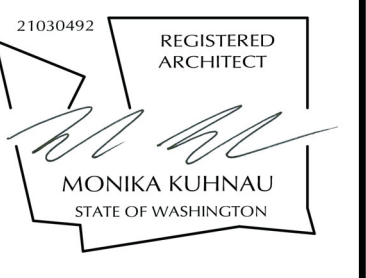
⑧ JAMB DETAIL
3" = 1' - 0"



⑨ EXT. STL DETAIL
3" = 1' - 0"

PERMIT SET

REVISIONS		
no	date	by
-	-	-



project number 21-45
date 7.18.2024
file name 2145 A300RD
drawn by TDV
checked by -
owner approval _____

title
Details & Notes

A311