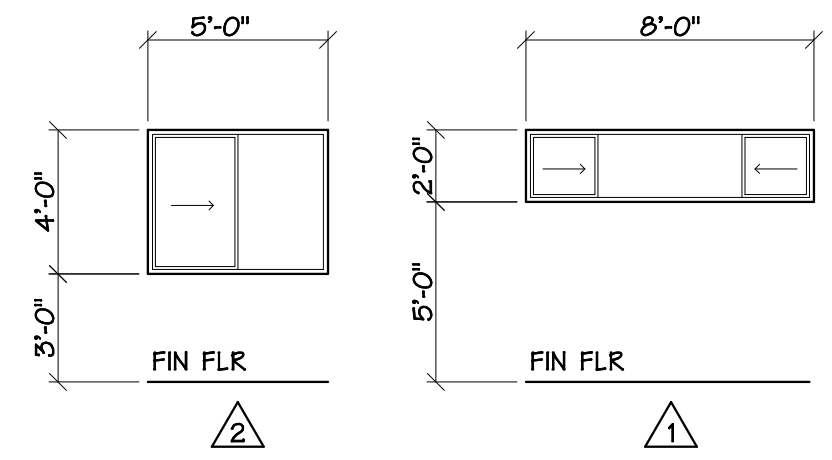
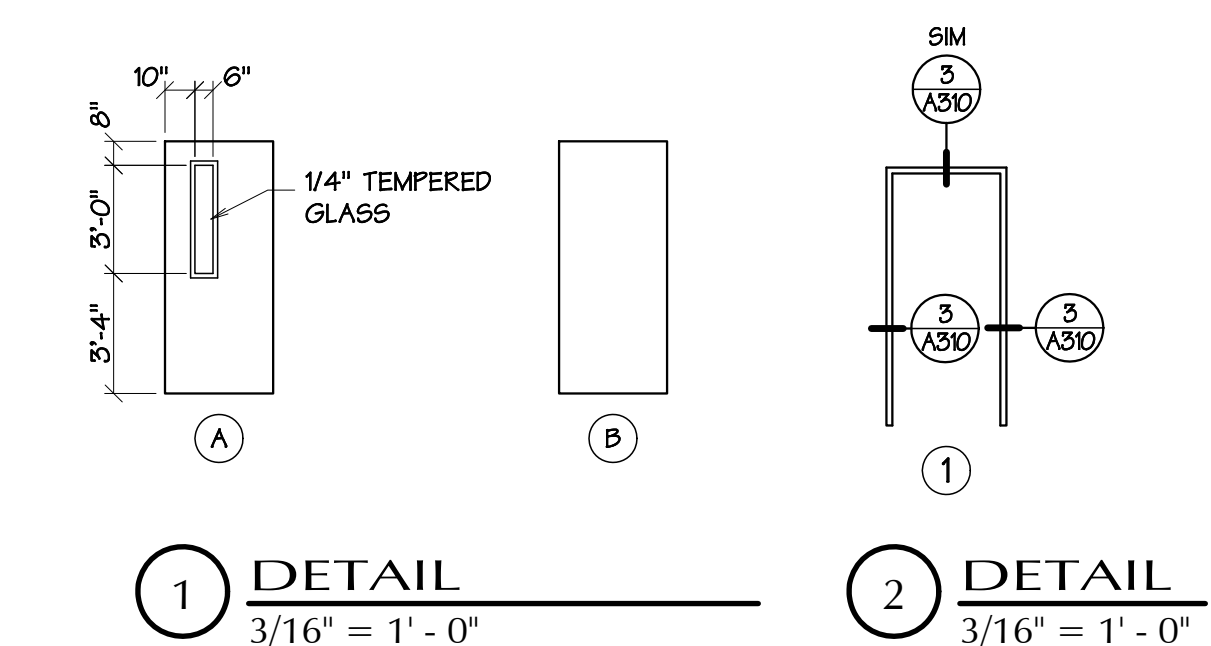


△ WINDOW SCHEDULE							
FRAME				GLAZING		REMARKS	
TYPE	MATERIAL	FINISH	VENT. OP.	NOM. AREA	KIND		COLOR
1	VINYL	FACTORY	SLIDING	-	INSUL.	CLEAR	①
2	VINYL	FACTORY	SLIDING	-	INSUL.	CLEAR	①
REMARKS							
① MATCH EXISTING VINYL WINDOW PROFILE THAT EXISTS AT ROOM 206. MATCH EXISTING INSTALLATION DETAILS.							

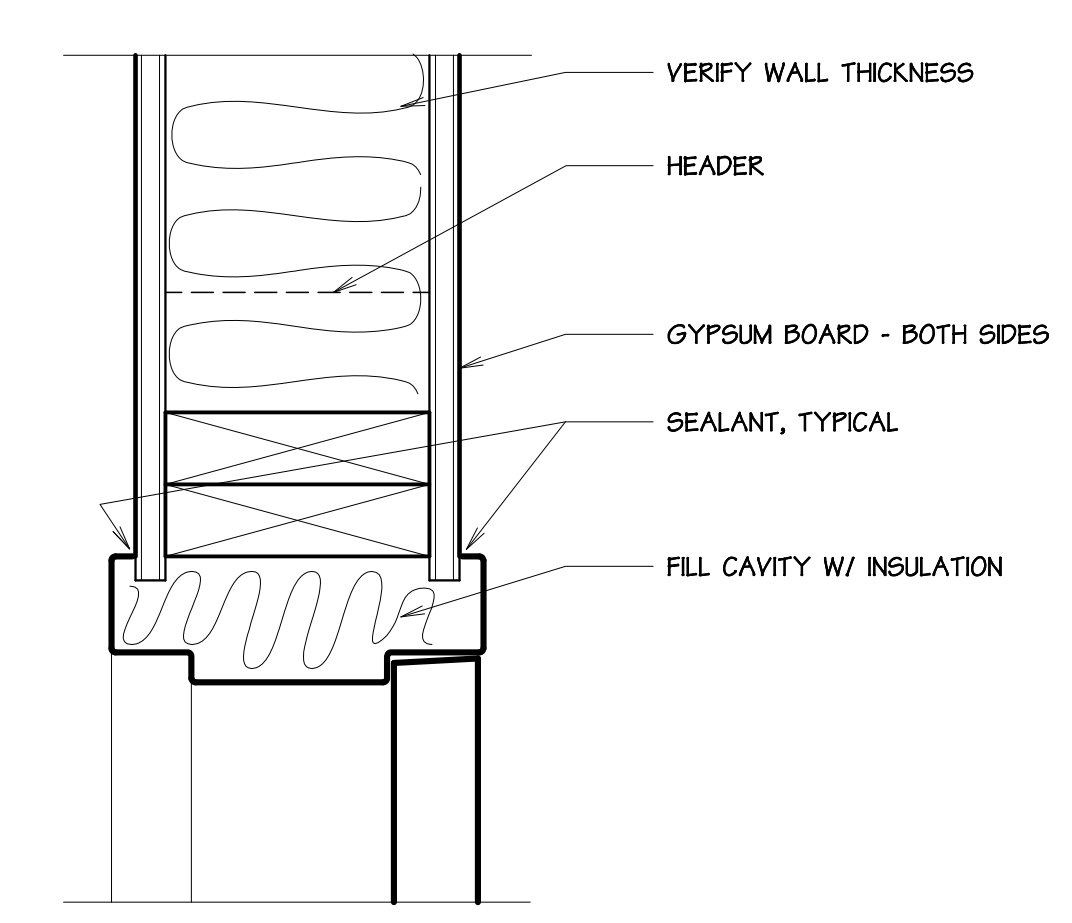


DOOR & FRAME SCHEDULE												
NO.	SIZE		THICK.	DOOR			FRAME			LABEL	HDW. GRP.	REMARKS
	WIDTH	HEIGHT		TYPE	MATERIAL	FINISH	TYPE	MATERIAL	FINISH			
101	3'-0"	7'-0"	1 3/4"	-	ALUMINUM	-	-	ALUMINUM	-	-	-	①
102	3'-0"	7'-0"	1 3/4"	A	STEEL	PAINT	1	STEEL	PAINT	-	1	
103	3'-0"	7'-0"	1 3/4"	-	WOOD	P. LAM	-	STEEL	-	-	1	①
104	3'-0"	7'-0"	1 3/4"	-	WOOD	P. LAM	-	STEEL	-	-	1	①
105A	3'-0"	7'-0"	1 3/4"	-	ALUMINUM	-	-	ALUMINUM	-	-	-	①
105B	3'-0"	7'-0"	1 3/4"	-	WOOD	P. LAM	-	STEEL	-	-	1	①
106A	3'-0"	7'-0"	1 3/4"	-	ALUMINUM	-	-	ALUMINUM	-	-	-	①
106B	3'-0"	7'-0"	1 3/4"	-	WOOD	P. LAM	-	STEEL	-	-	1	①
107	3'-0"	7'-0"	1 3/4"	-	WOOD	P. LAM	-	STEEL	-	-	1	①
108	2'-8"	7'-0"	1 3/4"	B	STEEL	PAINT	-	STEEL	-	-	2	②
110	2'-8"	7'-0"	1 3/4"	B	STEEL	PAINT	-	STEEL	-	-	2	②
112	2'-6"	7'-0"	1 3/4"	-	WOOD	P. LAM	-	STEEL	-	-	1	①
113	3'-0"	7'-0"	1 3/4"	-	STEEL	-	-	STEEL	-	-	-	①
115	3'-0"	7'-0"	1 3/4"	A	STEEL	PAINT	1	STEEL	PAINT	-	3	
117	2'-0"	7'-0"	1 3/4"	B	STEEL	PAINT	1	STEEL	PAINT	-	4	
118	2'-0"	7'-0"	1 3/4"	B	STEEL	PAINT	1	STEEL	PAINT	-	4	
119	3'-0"	7'-0"	1 3/4"	B	STEEL	PAINT	1	STEEL	PAINT	-	4	
203	3'-0"	7'-0"	1 3/4"	-	WOOD	P. LAM	-	STEEL	-	-	1	①
204	3'-0"	7'-0"	1 3/4"	A	STEEL	PAINT	1	STEEL	PAINT	-	5	
205	3'-0"	7'-0"	1 3/4"	B	STEEL	PAINT	1	STEEL	PAINT	-	5	
206	3'-0"	7'-0"	1 3/4"	-	WOOD	P. LAM	-	STEEL	-	-	1	①
207	3'-0"	7'-0"	1 3/4"	-	WOOD	P. LAM	-	STEEL	-	-	1	①
REMARKS												
① EXISTING DOOR, FRAME & HARDWARE. REPLACE EXISTING LOCKSET AS SCHEDULED.												
② EXISTING DOOR TO BE REPLACED. FIELD MEASURE EXISTING FRAME & HARDWARE PREPS FOR NEW DOOR INSTALLATION.												



① DETAIL  
3/16" = 1' - 0"

② DETAIL  
3/16" = 1' - 0"



③ JAMB / HEAD (SIM) DETAIL  
3" = 1' - 0"

Maintenance Building Remodel  
**Grays Harbor Transit**  
 Hoquiam, Washington

**Harbor Architects LLC**  
 Harbor Place  
 345 West Wishkah Street  
 Aberdeen WA 98520  
 Phone 360-532-0980  
 harborarchitects.com  
 © 2023 Harbor Architects LLC. All Rights Reserved

PERMIT SET		
REVISIONS		
no	date	by
-	-	-
project number	19-12F	
date	9.04.23	
file name	1912F A310	
drawn by	AEG	
checked by	ACG	
owner approval	_____	
title	Door & Frame Schedule & Window Sched. & Details	
<b>A310</b>		